

# EPIC INDOOR



# EPIC

## Switchable Colour & Dual Output Indoor LED Batten Range

The EPIC Indoor LED batten range is a sleek and easy to install design combined with switchable colour and output featuring easy slide and click assembly, mounting template and large terminal block.

The emergency version contains market leading Lithium Iron Phosphate battery technology and testing options are available with the LP range.

Packed with features and backed by Clevertronics reliability, the EPIC is built to impress.

### Applications

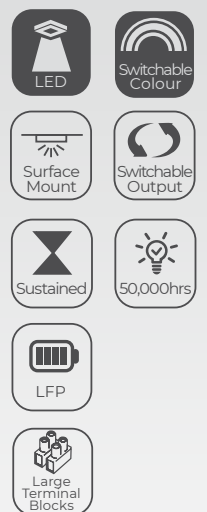


**TRADE**  
SERIES  
THE TRADES CHOICE

**LP** LITHIUM IRON PHOSPHATE  
PREMIUM  
PREMIUM PROJECT PERFORMANCE

### Features and Benefits

- AS/NZS 2293.3 compliant
- Long life, energy efficient LED strip module
- Switchable colour (3000K / 4000K / 5700K)
- Switchable output (varies by model)
- On-carton mounting template
- Large terminal block for easy installation
- Self-locating lanyard from diffuser to body
- Lithium (LiFePO<sub>4</sub>) battery technology



# EPIC INDOOR 600MM

## SWITCHABLE COLOUR

# EPIC INDOOR 600MM

## SWITCHABLE COLOUR

ORDERING INFORMATION	EMERGENCY (TS)	STANDARD
Nominal Size	600mm	600mm
Standard	EPIC-600-EM	EPIC-600
DALI Driver	No	
Motion Sensors	EPIC-600-SEN-EM	EPIC-600-SEN
CTP System Compatible	No	-
DALI*	-	-
Zoneworks XT HIVE*	-	-
Carton Quantity	6	
Weight - Single (Carton)	1.0 Kg	0.8 Kg
Dimensions (L X W X H)	605mm x 72mm x 78mm	

TECHNICAL SPECIFICATIONS	EMERGENCY (TS)	STANDARD
Construction - Base	Powder Coated Sheet Metal	
Construction - Diffuser	Co-Extruded IP40 Polycarbonate Diffuser Assembly	
Voltage (V) (Frequency (Hz))	220-240V~ (50Hz)	
Power Consumption (Standby / Max) ♦	(See Table on Next Page)	
Lamp ♦	Dual LED Strip Module	
Lamp(s) (CCT / Life)	3000K, 4000K, 5700K / 54000hr Life (L70 / B50, Ra >80 Ta 40c)	
Nominal Total Light Output ♦	(See Table on Next Page)	
Ingress Protection Rating (IP)	IP20	
Impact Rating (IK)	IK03	

♦ Please refer to the specific product data sheet for actual power, light output, lamp lifetime and driver values.

EMERGENCY SPECIFICATIONS	EMERGENCY (TS)
Operating Mode	Sustained
Battery Configuration	Integral
Battery Type	Lithium Iron Phosphate
Voltage / mAh	3.2V / 3000mAh
Charging Method	Intelligent Current Limited Constant Voltage

CLASSIFICATIONS	EMERGENCY (TS)
C0	D40
C90	D25

SPACING TABLE & MOUNTING HEIGHTS - AS / NZS 2293.1:2018 (MINIMUM LIGHT LEVEL OF 0.2 LUX)													
Classification	2.1m	2.4m	2.7m	3.0m	3.3m	3.6m	4.0m	4.5m	5.0m	6.0m	7.0m	8.0m	
D25	11.5	13.2	14.8	15.7	16.1	16.4	16.8	17.3	17.6	18.1	18.3	18.2	
D40	11.5	13.2	14.8	16.5	18.1	19.5	20.1	20.7	21.2	22.1	22.6	23.0	

For 1 lux and AS/NZS 2293.1:2005 spacing tables please visit: <https://clevertronics.com.au/spacing-tables/>

\*Warranty information located at: <https://clevertronics.com.au/warranty-statement/>

### NO SENSOR

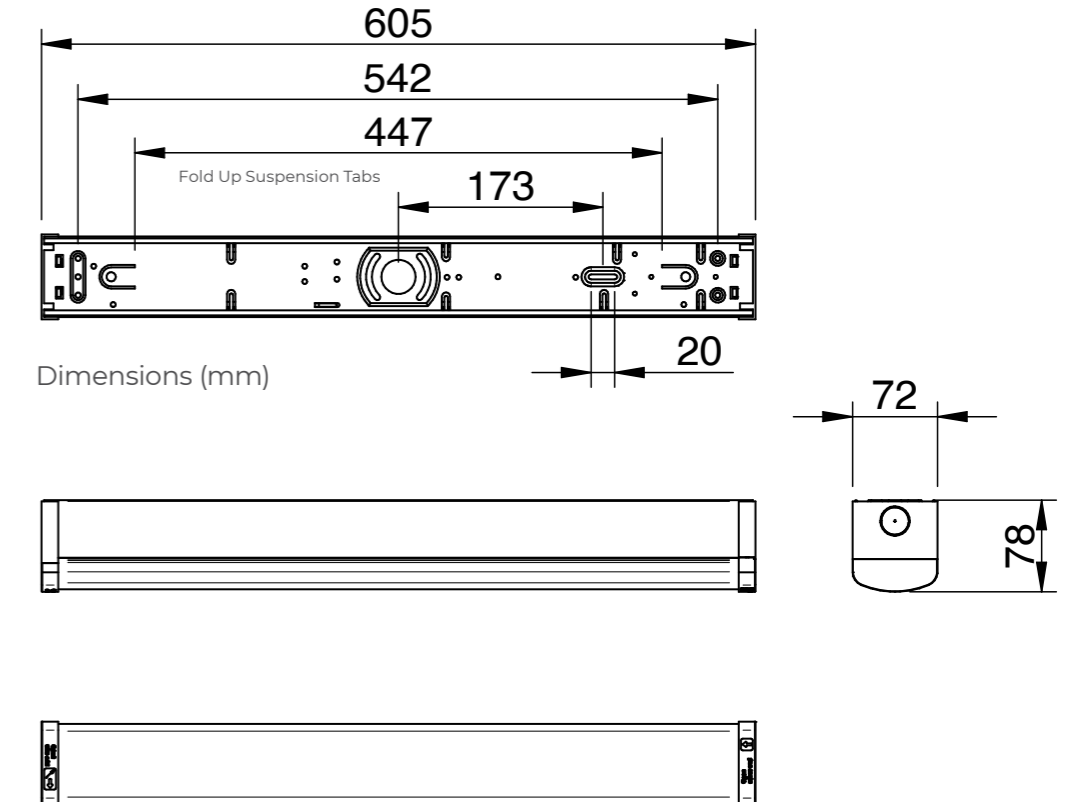
POWER CONSUMPTION	Standby Charge/ Main Lamp On	Standby Charge/ Main Lamp Off	Main Lamp On
OUTPUT (700mA)	TS	TS	STANDARD
3000K	18.9W	0.4W	18.5W
4000K DEFAULT	18.3W	0.4W	17.9W
5700K	19.0W	0.4W	18.6W

LUMEN OUTPUT	
TS	STANDARD
2011 lm	2011 lm
2199 lm	2199 lm
2082 lm	2082 lm

### SENSOR

POWER CONSUMPTION	Standby Charge/ Main Lamp On	Standby Charge/ Main Lamp On @ Min. 10%	Standby Charge/ Main Lamp Off	Main Lamp On	Main Lamp On @ Min. 10%
OUTPUT (700mA)	TS	TS	TS	STANDARD	STANDARD
3000K	20.1W	3.6W	0.4W	19.7W	3.2W
4000K DEFAULT	19.5W	3.6W	0.4W	19.1W	3.2W
5700K	20.2W	3.6W	0.4W	19.8W	3.2W

LUMEN OUTPUT	
TS	STANDARD
2011 lm	2011 lm
2199 lm	2199 lm
2028 lm	2028 lm



# EPIC INDOOR 1200MM

## SWITCHABLE COLOUR & OUTPUT

ORDERING INFORMATION	EMERGENCY (TS)	EMERGENCY (LP)	STANDARD
Nominal Size	1200mm	1200mm	1200mm
Standard	EPIC-1200-EM	EPIC-1200-LP	EPIC-1200
DALI Driver	No	EPIC-1200-DD-LP	EPIC-1200-DD
Motion Sensors	EPIC-1200-SEN-EM	EPIC-1200-SEN-LP	EPIC-1200-SEN
CTP System Compatible	No	Yes	-
DALI*	-	EPIC-1200-LP-DALI	-
Zoneworks XT HIVE*	-	EPIC-1200-LP-HV	-
Carton Quantity	6		
Weight - Single (Carton)	1.7 Kg	1.8 Kg	1.6 Kg
Dimensions (L x W x H)	1203mm x 72mm x 78mm		

\* For motion sensor version add -SEN to the product code as per following example: EPIC-1200-SEN-LP-DALI

TECHNICAL SPECIFICATIONS	EMERGENCY (TS)	EMERGENCY (LP)	STANDARD
Construction - Base	Powder Coated Sheet Metal		
Construction - Diffuser	Co-Extruded IP40 Polycarbonate Diffuser Assembly		
Voltage (V) (Frequency (Hz))	220-240V~ (50Hz)		
Power Consumption (Standby / Max) ♦	(See Table on Next Page)		
Lamp ♦	Dual LED Strip Module		
Lamp(s) (CCT / Life)	3000K, 4000K, 5700K / 54000hr Life (L70 / B50, Ra >80 Ta 40c)		
Nominal Total Light Output ♦	(See Table on Next Page)		
Ingress Protection Rating (IP)	IP20		
Impact Rating (IK)	IK03		

♦ Please refer to the specific product data sheet for actual power, light output, lamp lifetime and driver values.

EMERGENCY SPECIFICATIONS	EMERGENCY (TS)	EMERGENCY (LP)
Operating Mode	Sustained	
Battery Configuration	Integral	
Battery Type	Lithium Iron Phosphate	
Voltage / mAh	3.2V / 3000mAh	3.2V / 6400mAh
Charging Method	Intelligent Current Limited Constant Voltage	

CLASSIFICATIONS	EMERGENCY (TS)	EMERGENCY (LP)
C0	D40	D63
C90	D25	D40

SPACING TABLE & MOUNTING HEIGHTS - AS / NZS 2293.1:2018 (MINIMUM LIGHT LEVEL OF 0.2 LUX)													
Classification	2.1m	2.4m	2.7m	3.0m	3.3m	3.6m	4.0m	4.5m	5.0m	6.0m	7.0m	8.0m	
D25	11.5	13.2	14.8	15.7	16.1	16.4	16.8	17.3	17.6	18.1	18.3	18.2	
D40	11.5	13.2	14.8	16.5	18.1	19.5	20.1	20.7	21.2	22.1	22.6	23.0	
D63	11.5	13.2	14.8	16.5	18.1	19.8	22.0	24.5	25.2	26.4	27.3	28.0	

Care should be taken when spacing luminaires at the distances indicated by the shaded regions to ensure conformance to AS/NZS2293.1, Clause 4.3 is maintained. A single emergency luminaire shall not serve an area of greater than 500 m<sup>2</sup>.

For 1 lux and AS/NZS 2293.1:2005 spacing tables please visit: <https://clevertronics.com.au/spacing-tables/>

\*Warranty information located at: <https://clevertronics.com.au/warranty-statement/>

# EPIC INDOOR 1200MM

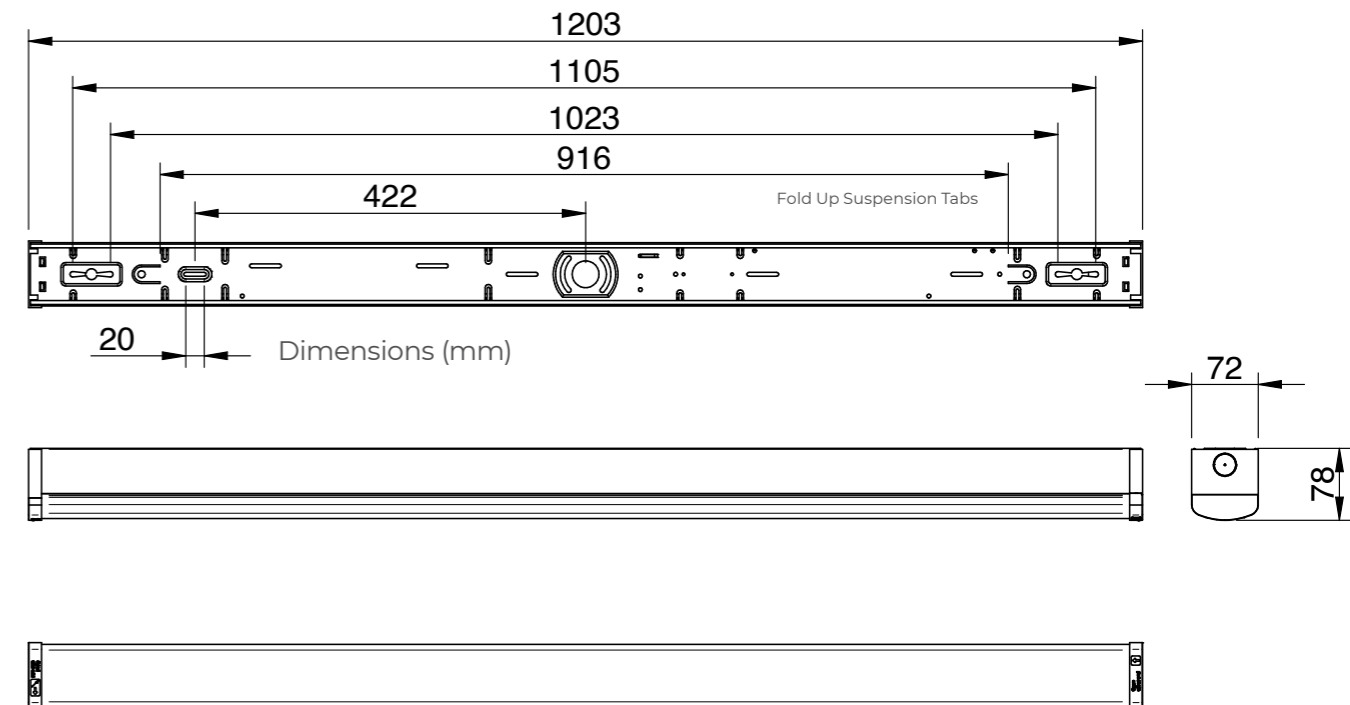
## SWITCHABLE COLOUR & OUTPUT

### NO SENSOR

POWER CONSUMPTION	Standby Charge/ Main Lamp On		Standby Charge/ Main Lamp Off		Main Lamp On	LUMEN OUTPUT		
	TS	LP	TS	LP	STANDARD	TS	LP	STANDARD
OUTPUT 2 (700mA)								
3000K	37.6W	37.6W	0.4W	0.4W	37.2W	4227 lm	4227 lm	4227 lm
4000K DEFAULT	35.9W	35.9W	0.4W	0.4W	35.5W	4673 lm	4673 lm	4673 lm
5700K	37.1W	37.1W	0.4W	0.4W	36.7W	4447 lm	4447 lm	4447 lm
OUTPUT 1 (350mA)								
3000K	18.5W	18.5W	0.4W	0.4W	18.1W	2277 lm	2277 lm	2277 lm
4000K DEFAULT	18.0W	18.0W	0.4W	0.4W	17.6W	2439 lm	2439 lm	2439 lm
5700K	18.3W	18.3W	0.4W	0.4W	17.9W	2413 lm	2413 lm	2413 lm

### SENSOR

POWER CONSUMPTION	Standby Charge/ Main Lamp On		Standby Charge/ Main Lamp On @ Min. 10%		Standby Charge/ Main Lamp Off		Main Lamp On	Main Lamp On @ Min. 10%	LUMEN OUTPUT		
	TS	LP	TS	LP	TS	LP	STANDARD	STANDARD	TS	LP	STANDARD
OUTPUT (700mA)											
3000K	38.8W	38.8W	6.1W	6.1W	0.4W	0.4W	38.4W	5.7W	4227 lm	4227 lm	4227 lm
4000K DEFAULT	37.1W	37.1W	6.1W	6.1W	0.4W	0.4W	36.7W	5.7W	4673 lm	4673 lm	4673 lm
5700K	38.3W	38.3W	6.1W	6.1W	0.4W	0.4W	37.9W	5.7W	4447 lm	4447 lm	4447 lm



**Victoria**

1 Caribbean Drive  
Scoresby VIC 3179  
Phone: +61 3 9559 2700  
Fax: +61 3 9559 2799  
Email: [statemgrvic@clevertronics.com.au](mailto:statemgrvic@clevertronics.com.au)

**New South Wales**

9 Distribution Place  
Seven Hills NSW 2147  
Phone: +61 2 8805 6400  
Fax: +61 2 8805 6444  
Email: [statemgrnsw@clevertronics.com.au](mailto:statemgrnsw@clevertronics.com.au)

**Queensland**

2/8-12 Monte-Khoury Drive  
Loganholme QLD 4129  
Phone: +61 7 3442 9700  
Fax: +61 7 3442 9777  
Email: [statemgrqld@clevertronics.com.au](mailto:statemgrqld@clevertronics.com.au)

**Western Australia**

12 Milly Court  
Malaga WA 6090  
Phone: +61 8 9207 0000  
Fax: +61 8 9248 3725  
Email: [statemgrwa@clevertronics.com.au](mailto:statemgrwa@clevertronics.com.au)

**South Australia**

U2/19 Main Terrace  
Richmond SA 5033  
Phone: +61 8 8301 8800  
Fax: +61 8 8351 8286  
Email: [statemgrsa@clevertronics.com.au](mailto:statemgrsa@clevertronics.com.au)

**Auckland**

Unit 22/761 Great South Road  
Penrose Auckland 1061  
Phone: +64 800 548 448  
Email: [info@clevertronics.co.nz](mailto:info@clevertronics.co.nz)

**Christchurch**

163C Wordsworth Street  
Sydenham Christchurch 8023  
Phone: +64 800 548 448  
Email: [info@clevertronics.co.nz](mailto:info@clevertronics.co.nz)



[clevertronics.com.au](http://clevertronics.com.au)